

UTC-515x

15.6" Ubiquitous Touch Computer UTC-515D with Intel® Celeron J1900 UTC-515E with Intel® Core™ i5-4300U

NEW



Features

- Low Power & Fanless design
- Built in Intel Celeron J1900 (UTC-515D)
- Built in Intel Core i5 4300U (UTC-515E)
- Providing Natural Viewing Experience with 16:9 15.6" Display
- Front panel complies with IP65 protection standard
- All in one aluminum extrusion design
- Landscape & Portrait screen mode support by different applications
- VESA 100 mm standard mounting holes for varied mounting demands
- Attachable design for panel & peripherals to extend function and applications



Introduction

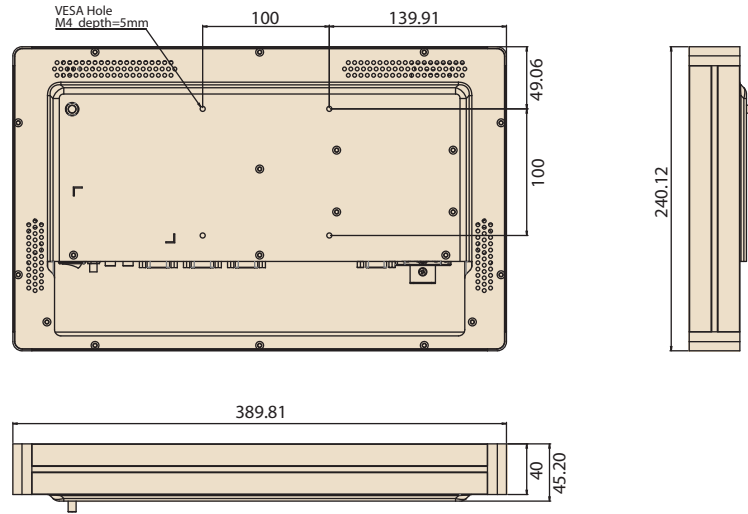
UTC-515x features an all-in-one computing system equipped with wide format, touch based LCD panel. It is easy to integrate key peripherals and display systems for diversified self-service and interactive signage deploy in different application areas. The systems deliver updated information with well-designed interactive interfaces, fully ensure relevant content and targeted promotions are delivered. UTC series touch panel computers are the best investments to enhance user satisfaction, further brand equity, and maximize business profits.

Specifications

Processor System	CPU	Intel® Celeron J1900 (UTC-515D)	Intel® Core™ i5-4300U (UTC-515E)
	Base Frequency	2 GHz (Quad-Core)	1.9 GHz (Dual-Core)
	Cache	L2 Cache 2MB	L3 Cache 3MB
	Memory	1 x SO-DIMM DDR3L 1333 MHz up to 8 GB	1 x SO-DIMM DDR3L 1333 / 1600 MHz up to 8 GB
	HDD	1 x 2.5 internal SATA HDD bay	1 x 2.5 internal SATA HDD bay
	Network (LAN)	2 x Gigabit Ethernet ports (Supports Wake on LAN)	
	I/O ports	2 x RS-232 COM (RS-422/485)* 2 x USB 2.0 / 1 x USB 3.0 2 x Gigabit Ethernet (RJ-45) 1 x VGA & HDMI Audio Line-out x 1, Mic-in x 1	2 x RS-232 COM (RS-422/485)* 2 x USB 2.0 / 2 x USB 3.0 2 x Gigabit Ethernet (RJ-45) 1 x VGA & HDMI Audio Line-out x 1, Mic-in x 1
	Stereo Speaker	1 W x 2	
	Bus expansion	Full-size MiniPCIe/mSATA	
	Mounting	VESA 75 x 75 mm	
	Dimensions (W x H x D)	389.81 x 240.12 x 45.20 (mm)	
	Weight	4.85 kg (10.67 lb)	
	OS Support	Windows Embedded Standard 7 Windows Embedded Standard 8 Embedded Linux 3.0	Windows Embedded Standard 7 Windows Embedded Standard 8 Embedded Linux 3.0
Environmental Specifications	Operating Temperature	0 ~ 40° C (32 ~ 104° F)	
	Relative Humidity	10 ~ 95% @ 40° C non-condensing	
	Vibration	0.5G	
	Shock	10 G peak acceleration (11 msec. duration)	
	EMC/ Safety	CE, FCC, UL, CCC CB,BSMI	
	Front Panel Protection	IP65/NEMA4 Compliant	
Power Supply	Input Rating	12 V/5 A (60 W ITE Adapter)	12 V/5 A (60 W ITE Adapter)
	Power consumption	Typical 40W Max. 50W	Typical 40W Max. 50W
LCD Display	Size/Type	15.6" TFT LCD	
	Max.Resolution	1366 x 768	
	Max. Color	262 K	
	Pixel Pitch (µm)	248.25 (H) x 248.25 (V)	
	Brightness (cd/m ²)	300	
Touch Screen	View Angle	170°/160°	
	Type	Projected Capacitive Touch Panel (Pcap. Flat Glass) / Analog Resistive 5-wires (Res. Flat Glass) / Glass Panel (No touch function)	
	Light Transmission	90% ± 2% / 80% ± 5% / 90%	
	Controller	USB Interface / USB Interface / -	

Dimensions

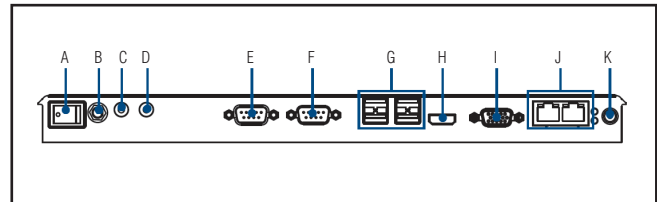
Unit: mm (inch)



Ordering Information

Part No.	Description
UTC-515D-RE	15.6" Intel® Celeron J1900 Based fanless UTC with Resi.T/S. 4 GB RAM
UTC-515D-PE	15.6" Intel® Celeron J1900 Based fanless UTC with PCT.T/S. 4 GB RAM
UTC-515D-GE	15.6" Intel® Celeron J1900 Based fanless UTC with Glass. 4 GB RAM
UTC-515E-RE	15.6" Intel® Core™ i5-4300U Based fanless UTC with Resi.T/S. 4 GB RAM
UTC-515E-PE	15.6" Intel® Core™ i5-4300U Based fanless UTC with PCT.T/S. 4 GB RAM
UTC-515E-GE	15.6" Intel® Core™ i5-4300U Based fanless UTC with Glass. 4 GB RAM

Fully- Integrated I/O



- | | |
|-----------------|---------------------------------------|
| A. Power switch | G. USB 2.0 x 4 |
| B. Antenna Port | (USB 2.0 x 2, USB3.0 x 1 for UTC515D) |
| C. Line-out | H. HDMI |
| D. Mic-in | I. VGA |
| E. COM2 | J. LAN Ports x 2 |
| F. COM1 | K. DC Input |

Side groove design for Flexible peripheral device



Peripherals for UTC-500 series

Part No.	Description
UTC-P01-A0E	2M Camera Module For UTC-5XX (USB connection)
UTC-P02-A0E	Magnet Strip Reader For UTC-5XX (USB connection)
UTC-P03-A0E	RFID Reader For UTC-5XX (USB connection)
UTC-P06-A0E	Smart Card Reader For UTC-5XX (USB connection)
UTC-P07-A1E	1D/2D Barcode Reader For UTC-5XX (USB Connection)
UTC-P21-A0E	4 in 1 Modules Barcode reader + RFID + Card reader + MSR

Installation Accessory

Part No.	Description
UTC-520-STAND1E	Desktop Stand for UTC-520
UTC-WALL-MOUNT1E	Wall Mount kit for UTC-520/515
UTC-R01-STANDE	Triangle Feet Stand
UTC-K01-STANDE	Cross Feet Stand
UTC-K02-STANDE	H-shaped Feet Stand